

可逆电动机 REVERSIBLE MOTORS

■ 25W □ 80mm



规格 Specs 30分钟额定 30 Minutes Rating

| 型号Model · 类型 Type 上段:齿轮轴 Upper:Pinion Shaft 下段()内:圆轴 Below:Round Shaft | | 输出功率 Output power W | 电压 Voltage V | 频率 Frequency Hz | 电流 Current A | 启动转矩 Starting Torque mN.m | 额定转矩 Rated Torque mN.m | 额定转速 Rated Speed r/min | 电容器容量 Capacitor μF |
|--|--|---------------------------|--------------------|-----------------------|--------------------|---------------------------------|------------------------------|------------------------------|--------------------------|
| 导线型 Lead Wire Type 外形图Dimensions① | 带端子箱型 Terminal Box Type 外形图Dimensions② | | | | | | | | |
| 4RK25GN-A | 4RK25GN-AT | 25 | 1ph 100 | 50 | 0.59 | 160 | 200 | 1250 | 10 |
| | | | | | 0.69 | 140 | 165 | 1550 | |
| 4RK25GN-E | 4RK25GN-ET | 25 | 1ph 110 | 60 | 0.45 | 140 | 165 | 1550 | 8.0 |
| | | | 1ph 120 | | 0.50 | | | | |
| 4RK25GN-C | 4RK25GN-CT | 25 | 1ph 220 | 50 | 0.29 | 140 | 200 | 1250 | 2.2 |
| | | | 1ph 230 | | 0.30 | | | | |
| 4RK25GN-H | 4RK25GN-HT | 25 | 1ph 220 | 60 | 0.35 | 140 | 165 | 1550 | 2.2 |
| | | | 1ph 230 | | | | | | |

- 可逆电动机的额定转矩、启动转矩数值均为未安装简易制动时的数值。
Values shown for rated torque and starting torque are measured for operation without the friction brake installed.
- 各种安全规格以电动机铭牌上的型号取得认定。
When the motor is approved under various safety standards, the model name on the nameplate is the approved model name.
- (T): 此为配件选项, 如需要此功能, 型号后需带 "P".
This option for the parts, such as the need for this feature, models need to bring "P".
- 电动机温度下降后会自动恢复运行, 故在进行检查作业时请务必事先切断电源。
When the motor temperature drops, the thermal protector closes and the motor restarts. Be sure to turn the motor off before inspecting.
- 注: "-A" 型号中电压为110V时, 配置电容器容量以实际铭牌为准。
Note: "-A" it means the voltage 110V, the assembly capacitor vaule it is according the labe.

装有减速器时的容许转矩 Gear Motor-Torque Table

- 减速器-中间减速器另售。● 电动机型号的□中为表示带端子箱型的记号(T)。
Gearhead and mid-gearbox can be sold separately. Enter the code that represents the terminal box type (T) in the box (□) within the model name.
- 减速器型号的□中为减速比的数值。□色表示与电动机同一方向运转, 其他则为相反方向。
Enter the gear ratio in the box (□) within the model name.
The colored background □ indicates the same rotating direction of the motor while the rotating direction of others are opposite.
- 转速是以电动机的同步转速 (50Hz:1500r/min、60Hz:1800r/min) 为基准除以减速比而算出来的数值。实际转速将随负载大小变化而比所示数值减少2%~20%左右。
The speed is calculated by diving the motor's synchronous speed (50Hz:1500r/min、60Hz:1800r/min) by the gear ratio. The actual speed is 2%~20% less than the displayed value, depending on the size of the load.
- 希望以大于下表的减速比进行进一步减速时, 可在电动机与减速器之间安装减速比为10的中间减速器。这时的容许转矩为8N·m。
To reduce the speed beyond the gear ratio in the table, attach a mid-gearbox (gear ratio:10) between the gearhead and motor. In that case, the permissible torque is 8N·m.

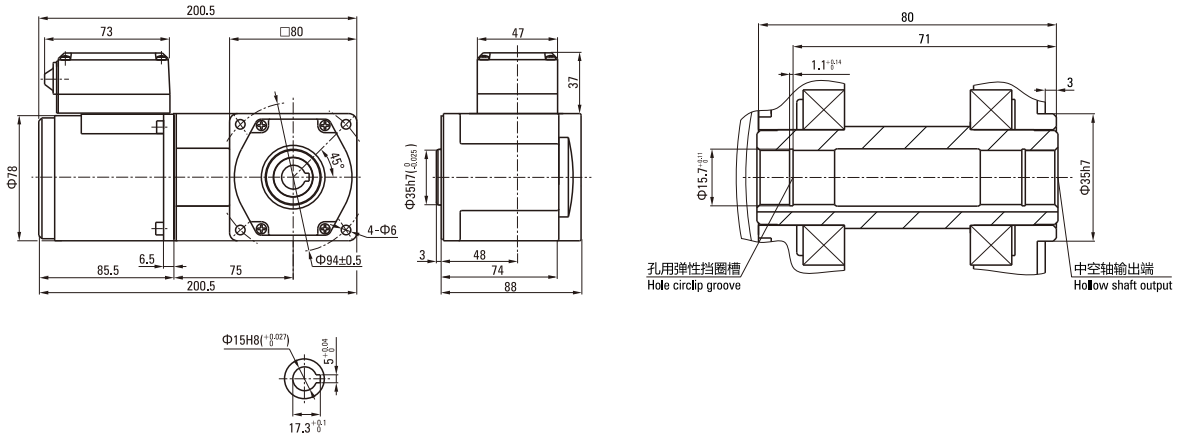
弧锥直角 SPIRAL BEVEL RIGHT ANGLE

容许力矩单位 Allowance Torque Unit: 上段 Upside (N.m) / 下段 Belowside (kgf.cm)

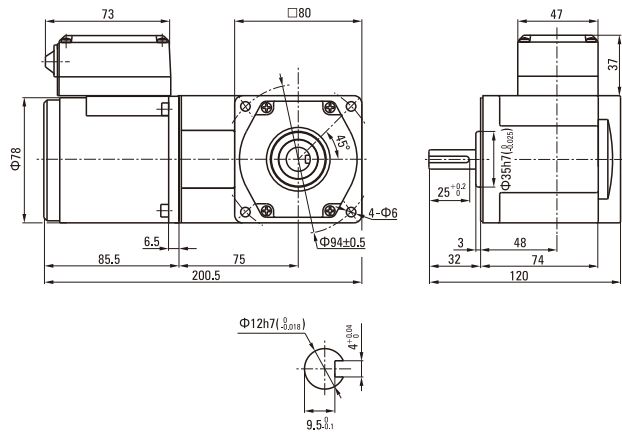
| 机型Type | | 电动机/减速器 Motor/Gearhead | 减速比Gear Ratio | 7.5 | 9 | 12.5 | 15 | 18 | 25 | 30 | 36 | 50 | 60 | 75 | 90 | 100 | 120 | 150 | 180 | | |
|--|------------------|-----------------------------|---------------|------|------|------|------|------|------|------|------|------|------|------|------|------|------|------|------|------|------|
| 转速Speed r/min | | | | 50Hz | 60Hz | 50Hz | 60Hz | 50Hz | 60Hz | 50Hz | 60Hz | 50Hz | 60Hz | 50Hz | 60Hz | 50Hz | 60Hz | 50Hz | 60Hz | 50Hz | 60Hz |
| 4RK25GN-A□ 4RK25GN-E□ 4RK25GN-C□ 4RK25GN-H□ | 4GN□RC 4GN□RT | 容许力矩 Allowance Torque | 50Hz | 0.99 | 1.18 | 1.64 | 1.97 | 2.37 | 3.29 | 3.95 | 4.73 | 6.58 | 7.10 | 8.00 | 8.00 | 8.00 | 8.00 | 8.00 | 8.00 | 8.00 | |
| | | | | 10.1 | 12.1 | 16.8 | 20.1 | 24.2 | 33.5 | 40.3 | 48.3 | 67.1 | 72.5 | 80.0 | 80.0 | 80.0 | 80.0 | 80.0 | 80.0 | 80.0 | 80.0 |
| | | | 60Hz | 0.80 | 0.95 | 1.33 | 1.59 | 1.91 | 2.65 | 3.18 | 3.82 | 5.30 | 5.73 | 7.16 | 8.00 | 8.00 | 8.00 | 8.00 | 8.00 | 8.00 | 8.00 |
| | | | | 8.12 | 9.74 | 13.5 | 16.2 | 19.5 | 27.1 | 32.5 | 39.0 | 54.1 | 58.4 | 73.0 | 80.0 | 80.0 | 80.0 | 80.0 | 80.0 | 80.0 | 80.0 |

电机尺寸图 Motor Size Chart

4RK25GN-A□/4GN□RC 4RK25GN-C□/4GN□RC
4RK25GN-E□/4GN□RC 4RK25GN-H□/4GN□RC



4RK25GN-A□/4GN□RT 4RK25GN-C□/4GN□RT
4RK25GN-E□/4GN□RT 4RK25GN-H□/4GN□RT



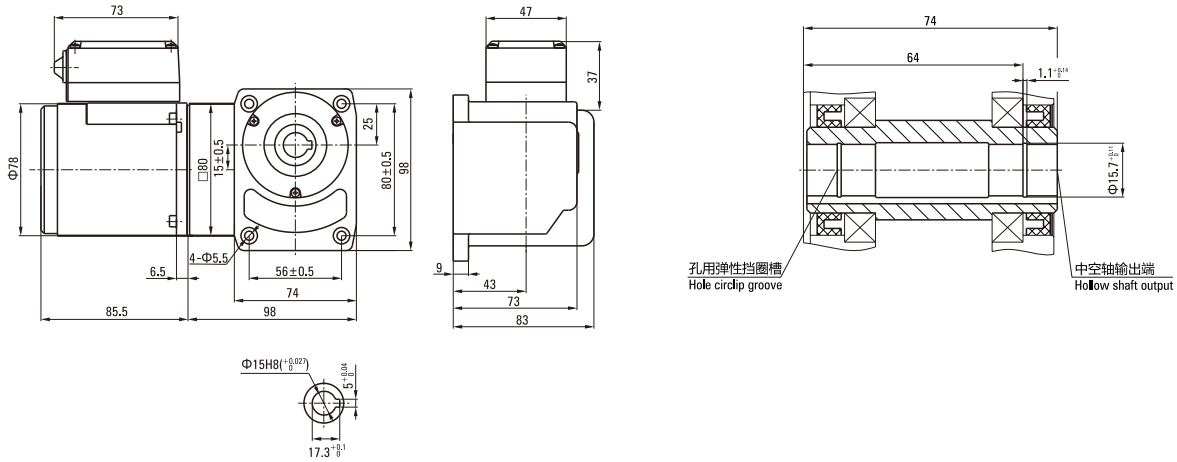
蜗轮蜗杆直角 WORM GEAR RIGHT ANGLE

容许力矩单位 Allowance Torque Unit: 上段 Upside (N.m) / 下段 Belowside (kgf.cm)

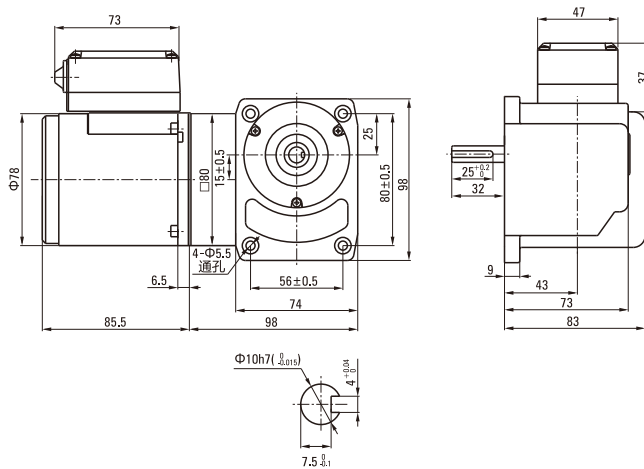
| 机型 Type | | 电动机/减速器 Motor/Gearhead | 减速比 Gear Ratio | 7.5 | 9 | 12.5 | 15 | 18 | 25 | 30 | 36 | 50 | 60 | 75 | 90 | 100 | 120 | 150 | 180 | | | |
|--|------------------|-----------------------------|----------------|-------------------|------|------|------|------|------|------|------|------|------|------|------|------|------|------|------|------|------|------|
| 电动机/减速器 Motor/Gearhead | | | | 转速 Speed r/min | 50Hz | 60Hz | 50Hz | 60Hz | 50Hz | 60Hz | 50Hz | 60Hz | 50Hz | 60Hz | 50Hz | 60Hz | 50Hz | 60Hz | 50Hz | 60Hz | 50Hz | 60Hz |
| 4RK25GN-A□ 4RK25GN-E□ 4RK25GN-C□ 4RK25GN-H□ | 4GN□RH 4GN□RA | 容许力矩 Allowance Torque | 50Hz | 200 | 166 | 120 | 100 | 83 | 60 | 50 | 417 | 30 | 25 | 20 | 16 | 15 | 12 | 10 | 8 | | | |
| | | | 60Hz | 240 | 200 | 144 | 120 | 100 | 72 | 60 | 500 | 36 | 30 | 24 | 20 | 18 | 15 | 12 | 10 | | | |
| | | | 50Hz | 0.58 | 0.70 | 0.97 | 1.16 | 1.39 | 1.93 | 2.32 | 2.78 | 3.87 | 4.64 | 5.80 | 6.96 | 7.74 | 8.00 | 8.00 | 8.00 | | | |
| | | | 60Hz | 5.92 | 7.10 | 9.87 | 11.8 | 14.2 | 19.7 | 23.7 | 28.4 | 39.5 | 47.4 | 59.2 | 71.0 | 78.9 | 80.0 | 80.0 | 80.0 | | | |

电机尺寸图 Motor Size Chart

4RK25GN-A□/4GN□RH 4RK25GN-C□/4GN□RH
4RK25GN-E□/4GN□RH 4RK25GN-H□/4GN□RH



4RK25GN-A□/4GN□RA 4RK25GN-C□/4GN□RA
4RK25GN-E□/4GN□RA 4RK25GN-H□/4GN□RA



可逆电动机 REVERSIBLE MOTORS

■ 40W □ 90mm



规格 Specs 30分钟额定 30 Minutes Rating

| 型号 Model · 类型 Type 上段:齿轮轴 Upper:Pinion Shaft 下段()内:圆轴 Below:Round Shaft | | 输出功率 Output power W | 电压 Voltage V | 频率 Frequency Hz | 电流 Current A | 启动转矩 Starting Torque mN.m | 额定转矩 Rated Torque mN.m | 额定转速 Rated Speed r/min | 电容器容量 Capacitor μF |
|---|--|---------------------------|--------------------|-----------------------|--------------------|---------------------------------|------------------------------|------------------------------|--------------------------|
| 导线型 Lead Wire Type 外形图Dimensions① | 带端子箱型 Terminal Box Type 外形图Dimensions② | | | | | | | | |
| 5RK40GU-A | 5RK40GU-AT | 40 | 1ph 100 | 50 | 0.78 | 300 | 315 | 1250 | 15 |
| | | | | 60 | 1.05 | | 260 | 1550 | |
| 5RK40GU-E | 5RK40GU-ET | 40 | 1ph 110 | 60 | 0.79 | 260 | 260 | 1550 | 12 |
| | | | 1ph 120 | | 0.80 | | | | |
| 5RK40GU-C | 5RK40GU-CT | 40 | 1ph 220 | 50 | 0.45 | 270 | 315 | 1250 | 3.0 |
| | | | 1ph 230 | | | | | | |
| 5RK40GU-H | 5RK40GU-HT | 40 | 1ph 220 | 60 | 0.45 | 270 | 260 | 1550 | 3.0 |
| | | | 1ph 230 | | | | | | |

- 可逆电动机的额定转矩、启动转矩数值均为未安装简易制动时的数值。
Values shown for rated torque and starting torque are measured for operation without the friction brake installed.
- 各种安全规格以电动机铭牌上的型号取得认定。
When the motor is approved under various safety standards, the model name on the nameplate is the approved model name.
- (P): 此为配件选项, 如需要此功能, 型号后需带 "P".
This option for the parts, such as the need for this feature, models need to bring "P".
- 电动机温度下降后会自动恢复运行, 故在进行检查作业时请务必先切断电源。
When the motor temperature drops, the thermal protector closes and the motor restarts. Be sure to turn the motor off before inspecting.
- 注: "-A" 型号中电压为110V时, 配置电容器容量以实际铭牌为准。
Note: "-A" it means the voltage 110V, the assembly capacitor value it is according to the label.

装有减速器时的容许转矩 Gear Motor-Torque Table

- 减速器-中间减速器另售。● 电动机型号的□中为表示带端子箱型的记号(T)。
Gearhead and mid-gearbox can be sold separately. Enter the code that represents the terminal box type (T) in the box (□) within the model name.
- 减速器型号的□中为减速比的数值。□色表示与电动机同一方向运转, 其他则为相反方向。
Enter the gear ratio in the box (□) within the model name.
The colored background □ indicates the same rotating direction of the motor while the rotating direction of others are opposite.
- 转速是以电动机的同步转速 (50Hz:1500r/min、60Hz:1800r/min) 为基准除以减速比而算出来的数值。实际转速将随负载大小变化而比所示数值减少2%~20%左右。
The speed is calculated by dividing the motor's synchronous speed (50Hz:1500r/min、60Hz:1800r/min) by the gear ratio. The actual speed is 2%~20% less than the displayed value, depending on the size of the load.
- 希望以大于下表的减速比进行进一步减速时, 可在电动机与减速器之间安装减速比为10的中间减速器。这时的容许转矩为20N·m。
To reduce the speed beyond the gear ratio in the table, attach a mid-gearbox (gear ratio:10) between the gearhead and motor. In that case, the permissible torque is 20N·m.

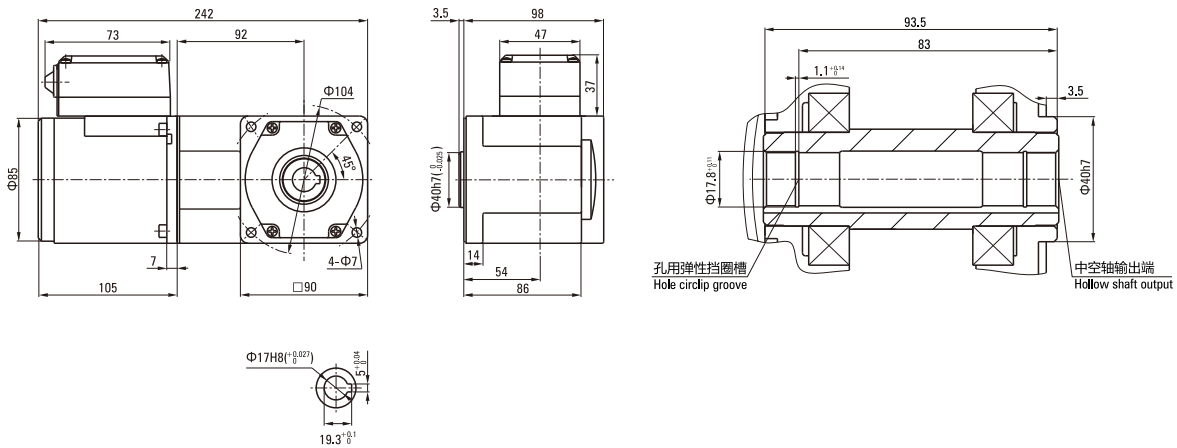
弧锥直角 SPIRAL BEVEL RIGHT ANGLE

容许力矩单位 Allowance Torque Unit: 上段 Upside (N.m) / 下段 Belowside (kgf.cm)

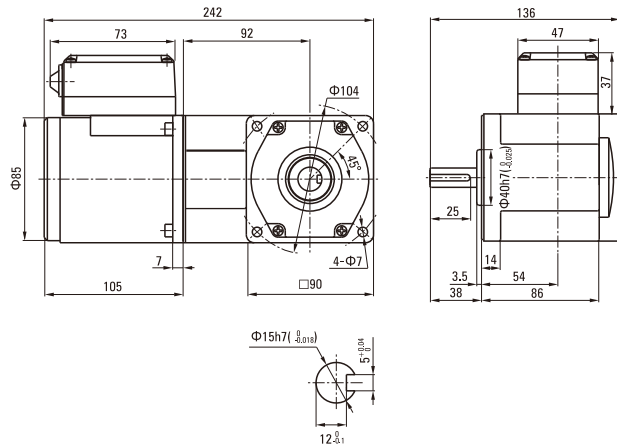
| 机型 Type | | 减速比 Gear Ratio | 7.5 | 9 | 12.5 | 15 | 18 | 25 | 30 | 36 | 50 | 60 | 75 | 90 | 100 | 120 | 150 | 180 | |
|--|-------------------|-----------------------------|------|------|------|------|------|------|------|------|------|------|------|------|------|------|------|------|------|
| 电动机/减速器 Motor/Gearhead | 转速 Speed r/min | 50Hz | 200 | 166 | 120 | 100 | 83 | 60 | 50 | 41 | 30 | 25 | 20 | 16 | 15 | 12 | 10 | 8 | |
| | | 60Hz | 240 | 200 | 144 | 120 | 100 | 72 | 60 | 50 | 36 | 30 | 24 | 20 | 18 | 15 | 12 | 10 | |
| 5RK40GU-A□ 5RK40GU-E□ 5RK40GU-C□ 5RK40GU-H□ | 5GU□RC 5GU□RT | 容许力矩 Allowance Torque | 50Hz | 1.58 | 1.89 | 2.63 | 3.16 | 3.79 | 5.26 | 6.31 | 6.80 | 9.50 | 11.4 | 14.2 | 17.0 | 18.9 | 20.0 | 20.0 | 20.0 |
| | | | 60Hz | 1.27 | 1.53 | 2.12 | 2.55 | 3.05 | 4.24 | 5.09 | 5.50 | 7.64 | 9.16 | 11.5 | 13.7 | 15.3 | 18.3 | 20.0 | 20.0 |
| | | 50Hz | 16.1 | 19.3 | 26.8 | 32.2 | 38.6 | 53.7 | 64.4 | 70.0 | 97.0 | 116 | 145 | 174 | 193 | 200 | 200 | 200 | |
| | | 60Hz | 13.0 | 15.6 | 21.6 | 26.0 | 31.2 | 43.3 | 51.9 | 56.1 | 77.9 | 93.5 | 117 | 140 | 156 | 187 | 200 | 200 | |

电机尺寸图 Motor Size Chart

5RK40GU-A□/5GU□RT 5RK40GU-C□/5GU□RT
5RK40GU-E□/5GU□RT 5RK40GU-H□/5GU□RT



5RK40GU-A□/5GU□RT 5RK40GU-C□/5GU□RT
5RK40GU-E□/5GU□RT 5RK40GU-H□/5GU□RT



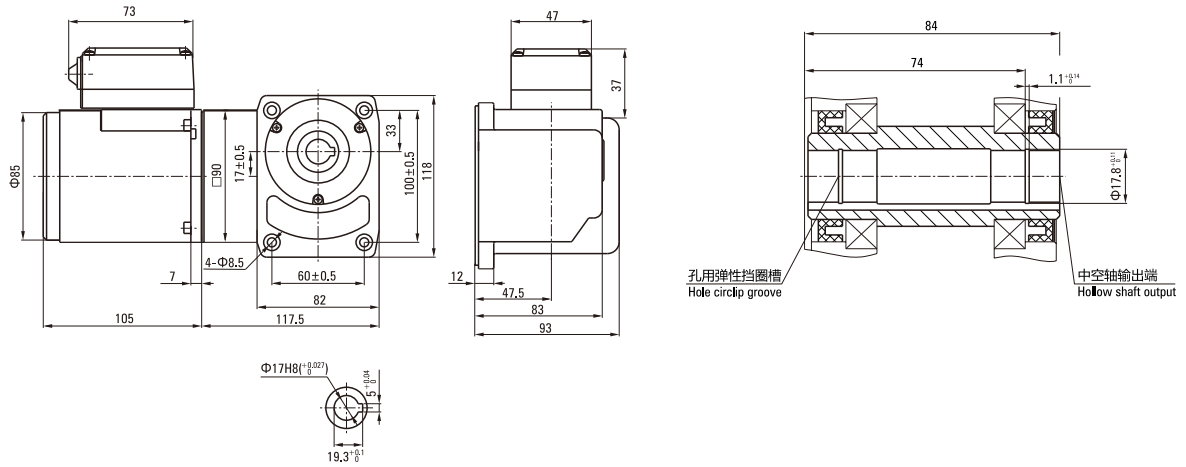
蜗轮蜗杆直角 WORM GEAR RIGHT ANGLE

容许力矩单位 Allowance Torque Unit: 上段 Upside (N.m) / 下段 Belowside (kgf.cm)

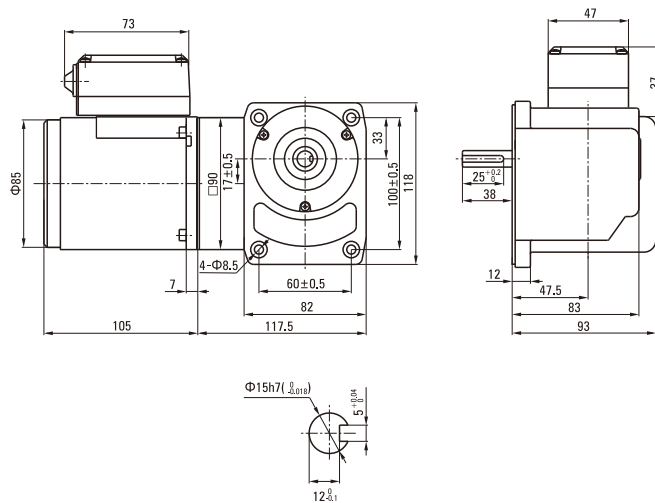
| 机型Type | | 减速比Gear Ratio | 7.5 | 9 | 12.5 | 15 | 18 | 25 | 30 | 36 | 50 | 60 | 75 | 90 | 100 | 120 | 150 | 180 | |
|--|------------------|-----------------------------|------|------|------|------|------|------|------|------|------|------|------|------|------|------|------|------|------|
| 电动机/减速器 Motor/Gearhead | | 转速Speed | | | | | | | | | | | | | | | | | |
| | | r/min | 50Hz | 200 | 166 | 120 | 100 | 83 | 60 | 50 | 41 | 30 | 25 | 20 | 16 | 15 | 12 | 10 | 8 |
| 5RK40GU-A□ 5RK40GU-E□ 5RK40GU-C□ 5RK40GU-H□ | 5GU□RH 5GU□RA | 容许力矩 Allowance Torque | 50Hz | 0.93 | 1.11 | 1.55 | 1.86 | 2.23 | 3.09 | 3.71 | 4.46 | 6.19 | 7.43 | 9.28 | 11.1 | 12.4 | 14.9 | 18.6 | 20.0 |
| | | | 60Hz | 9.47 | 11.4 | 15.8 | 18.9 | 22.7 | 31.6 | 37.9 | 45.5 | 63.1 | 75.8 | 94.7 | 114 | 126 | 152 | 189 | 200 |
| | | 60Hz | 0.75 | 0.90 | 1.25 | 1.50 | 1.80 | 2.50 | 2.99 | 3.59 | 4.99 | 5.99 | 7.49 | 8.98 | 9.98 | 12.0 | 15.0 | 18.0 | |
| | | | 7.64 | 9.17 | 12.7 | 15.3 | 18.3 | 25.5 | 30.6 | 36.7 | 50.9 | 61.1 | 76.4 | 91.7 | 102 | 122 | 153 | 183 | |

电机尺寸图 Motor Size Chart

5RK40GU-A□/5GU□RA 5RK40GU-C□/5GU□RA
5RK40GU-E□/5GU□RA 5RK40GU-H□/5GU□RA

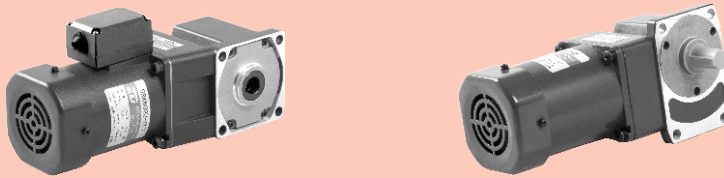


5RK40GU-A□/5GU□RA 5RK40GU-C□/5GU□RA
5RK40GU-E□/5GU□RA 5RK40GU-H□/5GU□RA



可逆电动机 REVERSIBLE MOTORS

■ 60W □ 90mm



规格 Specs 30分钟额定 30 Minutes Rating

| 型号Model · 类型 Type 上段:齿轮轴 Upper:Pinion Shaft 下段()内:圆轴 Below:Round Shaft | | 输出功率 Output power W | 电压 Voltage V | 频率 Frequency Hz | 电流 Current A | 启动转矩 Starting Torque mN.m | 额定转矩 Rated Torque mN.m | 额定转速 Rated Speed r/min | 电容器容量 Capacitor μF |
|--|--|---------------------------|--------------------|-----------------------|--------------------|---------------------------------|------------------------------|------------------------------|--------------------------|
| 导线型 Lead Wire Type 外形图Dimensions① | 带端子箱型 Terminal Box Type 外形图Dimensions② | | | | | | | | |
| 5RK60GU-AF | 5RK60GU-AFT | 60 | 1ph 100 | 50 | 1.26 | 470 | 470 | 1250 | 25 |
| | | | | 60 | 1.70 | | 380 | 1550 | |
| 5RK60GU-EF | 5RK60GU-EFT | 60 | 1ph 110 | 60 | 1.05 | 330 | 380 | 1550 | 15 |
| | | | 1ph 120 | | | 380 | | | |
| 5RK60GU-CF | 5RK60GU-CFT | 60 | 1ph 220 | 50 | 0.55 | 420 | 470 | 1250 | 4.5 |
| | | | 1ph 230 | | 0.60 | 460 | | | |
| 5RK60GU-HF | 5RK60GU-HFT | 60 | 1ph 220 | 60 | 0.55 | 420 | 380 | 1550 | 4.5 |
| | | | 1ph 230 | | 0.60 | 460 | | | |

- 可逆电动机的额定转矩、启动转矩数值均为未安装简易制动时的数值。
Values shown for rated torque and starting torque are measured for operation without the friction brake installed.
- 各种安全规格以电动机铭牌上的型号取得认定。
When the motor is approved under various safety standards, the model name on the nameplate is the approved model name.
- (T): 此为配件选项, 如需要此功能, 型号后需带 "P".
This option for the parts, such as the need for this feature, models need to bring "P".
- 电动机温度下降后会自启动恢复运行, 故在进行检查作业时请务必事先切断电源。
When the motor temperature drops, the thermal protector closes and the motor restarts. Be sure to turn the motor off before inspecting.
- 注: "-A" 型号中电压为110V时, 配置电容器容量以实际铭牌为准。
Note: "-A" it means the voltage 110V, the assembly capacitor value it is according to the label.

装有减速器时的容许转矩 Gear Motor-Torque Table

- 减速器 中间减速器另售。● 电动机型号的□中为表示带端子箱型的记号(T)。
Gearhead and mid-gearbox can be sold separately. Enter the code that represents the terminal box type (T) in the box (□) within the model name.
- 减速器型号□中为减速比的数值。□色表示与电动机同一方向运转, 其他则为相反方向。
Enter the gear ratio in the box (□) within the model name.
The colored background □ indicates the same rotating direction of the motor while the rotating direction of others are opposite.
- 转速是以电动机的同步转速 (50Hz:1500r/min、60Hz:1800r/min) 为基准除以减速比而算出来的数值。实际转速将随负载大小变化而比所示数值减少2%~20%左右。
The speed is calculated by dividing the motor's synchronous speed (50Hz:1500r/min、60Hz:1800r/min) by the gear ratio. The actual speed is 2%~20% less than the displayed value, depending on the size of the load.
- 希望以大于下表的减速比进行进一步减速时, 可在电动机与减速器之间安装减速比为10的中间减速器。这时的容许转矩为20N·m。
To reduce the speed beyond the gear ratio in the table, attach a mid-gearbox (gear ratio:10) between the gearhead and motor. In that case, the permissible torque is 20N·m.

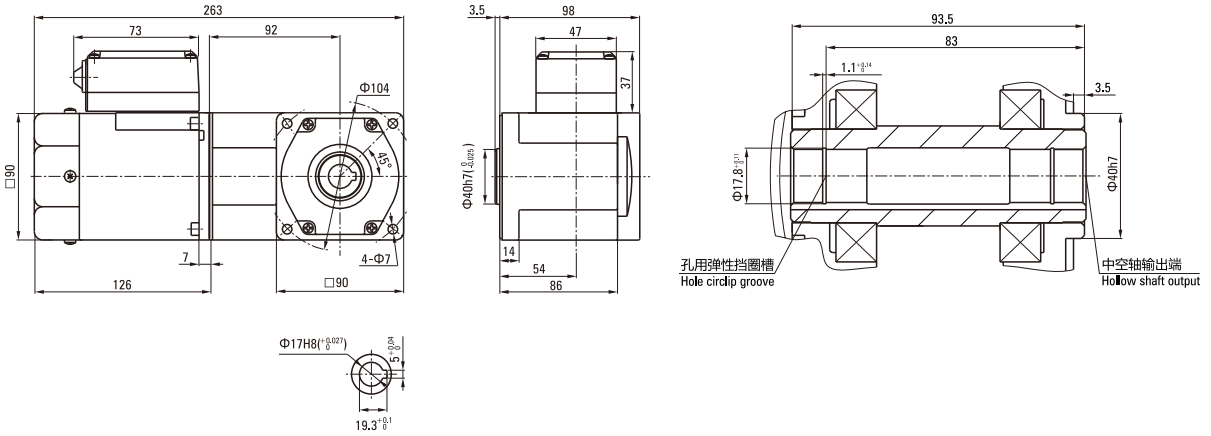
弧锥直角 SPIRAL BEVEL RIGHT ANGLE

容许力矩单位 Allowance Torque Unit: 上段 Upside (N.m) / 下段 Belowside (kgf.cm)

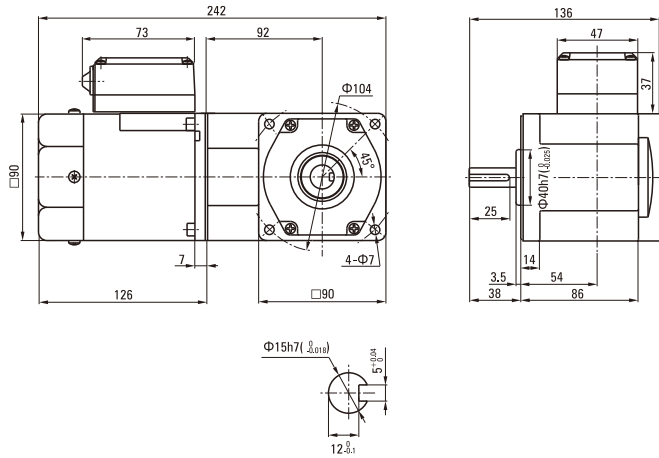
| 机型Type | | 减速比Gear Ratio | 7.5 | 9 | 12.5 | 15 | 18 | 25 | 30 | 36 | 50 | 60 | 75 | 90 | 100 | 120 | 150 | 180 | |
|--|------------------|-----------------------------|-------|-------|-------|-------|-------|-------|-------|------|------|------|------|------|------|------|------|------|------|
| 电动机/减速器 Motor/Gearhead | 转速Speed r/min | 50Hz | 200 | 166 | 120 | 100 | 83 | 60 | 50 | 41 | 30 | 25 | 20 | 16 | 15 | 12 | 10 | 8 | |
| | | 60Hz | 240 | 200 | 144 | 120 | 100 | 72 | 60 | 50 | 36 | 30 | 24 | 20 | 18 | 15 | 12 | 10 | |
| 5RK60GU-AF□ 5RK60GU-EF□ 5RK60GU-CF□ 5RK60GU-HF□ | 5GU□RC 5GU□RT | 容许力矩 Allowance Torque | 50Hz | 2.37 | 2.84 | 3.95 | 4.73 | 5.68 | 7.89 | 9.47 | 10.2 | 14.2 | 17.0 | 20.0 | 20.0 | 20.0 | 20.0 | 20.0 | 20.0 |
| | | | 60Hz | 1.91 | 2.29 | 3.18 | 3.82 | 4.58 | 6.36 | 7.64 | 8.25 | 11.5 | 13.7 | 17.2 | 20.0 | 20.0 | 20.0 | 20.0 | |
| | | 50Hz | 24.2 | 29.0 | 40.3 | 48.3 | 58.0 | 80.5 | 96.6 | 104 | 145 | 174 | 200 | 200 | 200 | 200 | 200 | 200 | |
| | | 60Hz | 19.48 | 23.37 | 32.46 | 38.96 | 46.75 | 64.93 | 77.92 | 84.1 | 117 | 140 | 175 | 200 | 200 | 200 | 200 | | |

电机尺寸图 Motor Size Chart

5RK60GU-AF□/5GU□RT 5RK60GU-CF□/5GU□RT
5RK60GU-EF□/5GU□RT 5RK60GU-HF□/5GU□RT



5RK60GU-AF□/5GU□RT 5RK60GU-CF□/5GU□RT
5RK60GU-EF□/5GU□RT 5RK60GU-HF□/5GU□RT



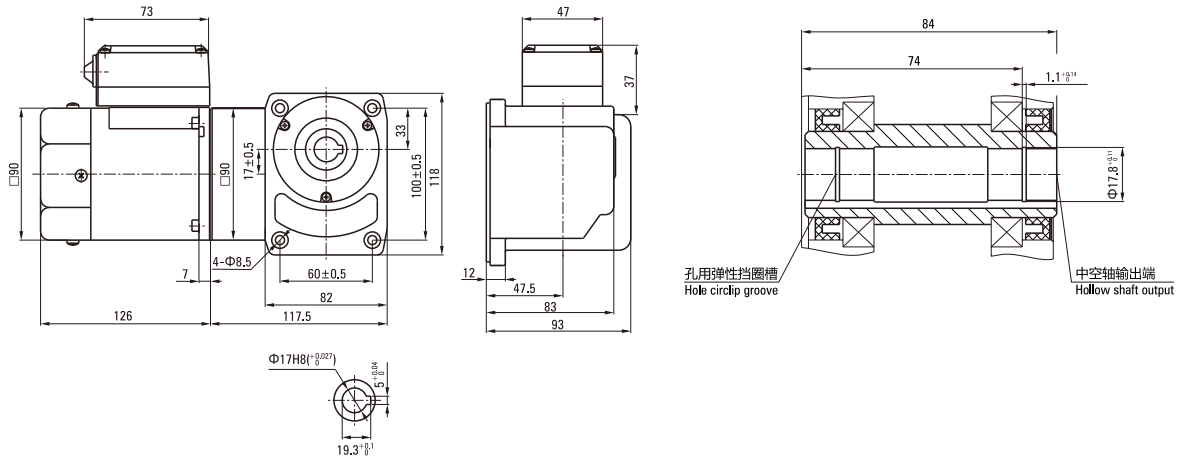
蜗轮蜗杆直角 WORM GEAR RIGHT ANGLE

容许力矩单位 Allowance Torque Unit: 上段 Upside (N.m) / 下段 Belowside (kgf.cm)

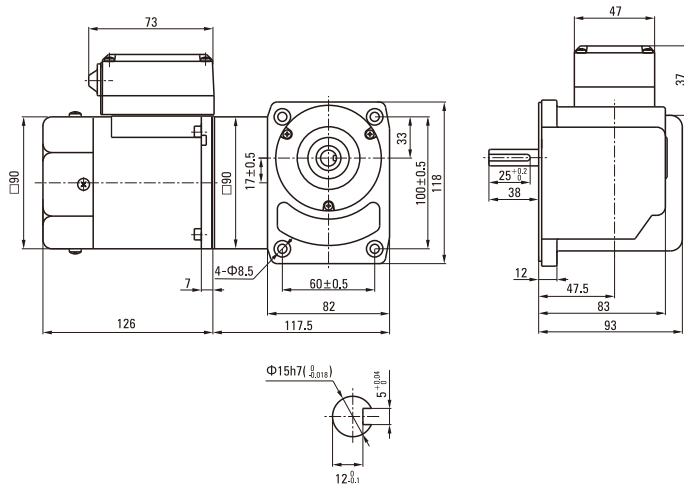
| 机型 Type | | 减速比 Gear Ratio | 7.5 | 9 | 12.5 | 15 | 18 | 25 | 30 | 36 | 50 | 60 | 75 | 90 | 100 | 120 | 150 | 180 | | |
|--|-------------------|-----------------------------|------|------|------|------|------|------|------|------|------|------|------|------|------|------|------|------|------|------|
| 电动机/减速器 Motor/Gearhead | 转速 Speed r/min | 50Hz | 200 | 166 | 120 | 100 | 83 | 60 | 50 | 41 | 30 | 25 | 20 | 16 | 15 | 12 | 10 | 8 | | |
| | | 60Hz | 240 | 200 | 144 | 120 | 100 | 72 | 60 | 50 | 36 | 30 | 24 | 20 | 18 | 15 | 12 | 10 | | |
| 5RK60GU-AF□ 5RK60GU-EF□ 5RK60GU-CF□ 5RK60GU-HF□ | 5GU□RH 5GU□RA | 容许力矩 Allowance Torque | 50Hz | 1.39 | 1.67 | 2.32 | 2.78 | 3.34 | 4.64 | 5.57 | 6.68 | 9.28 | 11.1 | 13.9 | 16.7 | 18.6 | 20.0 | 20.0 | 20.0 | |
| | | | | 14.2 | 17.0 | 23.7 | 28.4 | 34.1 | 47.4 | 56.8 | 68.2 | 94.7 | 114 | 142 | 170 | 189 | 200 | 200 | 200 | |
| | | | 60Hz | 1.12 | 1.35 | 1.87 | 2.25 | 2.69 | 3.74 | 4.49 | 5.39 | 7.49 | 8.98 | 11.2 | 13.5 | 15.0 | 18.0 | 20.0 | 20.0 | 20.0 |
| | | | | 11.5 | 13.7 | 19.1 | 22.9 | 27.5 | 38.2 | 45.8 | 55.0 | 76.4 | 91.7 | 115 | 137 | 153 | 183 | 200 | 200 | 200 |

电机尺寸图 Motor Size Chart

5RK60GU-AF□/5GU□RA 5RK60GU-CF□/5GU□RA
5RK60GU-EF□/5GU□RA 5RK60GU-HF□/5GU□RA

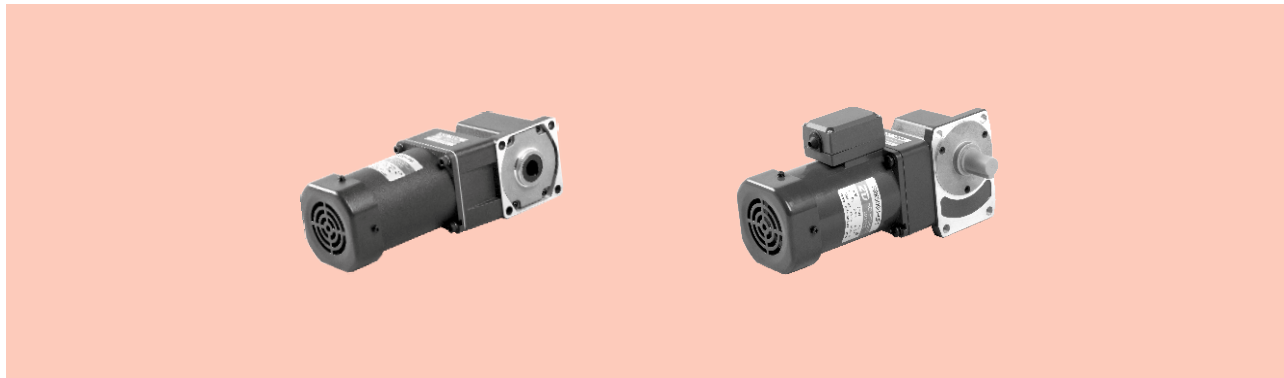


5RK60GU-AF□/5GU□RA 5RK60GU-CF□/5GU□RA
5RK60GU-EF□/5GU□RA 5RK60GU-HF□/5GU□RA



可逆电动机 REVERSIBLE MOTORS

■ 90W □ 90mm



规格 Specs 30分钟额定 30 Minutes Rating

| 型号 Model · 类型 Type 上段:齿轮轴 Upper:Pinion Shaft 下段()内:圆轴 Below:Round Shaft | | 输出功率 Output power W | 电压 Voltage V | 频率 Frequency Hz | 电流 Current A | 启动转矩 Starting Torque mN.m | 额定转矩 Rated Torque mN.m | 额定转速 Rated Speed r/min | 电容器容量 Capacitor μF |
|---|--|---------------------------|--------------------|-----------------------|--------------------|---------------------------------|------------------------------|------------------------------|--------------------------|
| 导线型 Lead Wire Type 外形图Dimensions① | 带端子箱型 Terminal Box Type 外形图Dimensions② | | | | | | | | |
| 5RK90GU-AF | 5RK90GU-AFT | 90 | 1ph 100 | 50 | 1.78 | 600 | 700 | 1250 | 30 |
| | | | | 60 | 2.35 | | 570 | 1550 | |
| 5RK90GU-EF | 5RK90GU-EFT | 90 | 1ph 110 | 60 | 1.72 | 550 | 570 | 1550 | 25 |
| | | | 1ph 120 | | | 600 | | | |
| 5RK90GU-CF | 5RK90GU-CFT | 90 | 1ph 220 | 50 | 0.82 | 560 | 700 | 1250 | 6.0 |
| | | | 1ph 230 | | 0.81 | | | | |
| 5RK90GU-HF | 5RK90GU-HFT | 90 | 1ph 220 | 60 | 0.81 | 560 | 560 | 1550 | 6.0 |
| | | | 1ph 230 | | 0.80 | | | | |

- 可逆电动机的额定转矩、启动转矩数值均为未安装简易制动时的数值。
Values shown for rated torque and starting torque are measured for operation without the friction brake installed.
- 各种安全规格以电动机铭牌上的型号取得认定。
When the motor is approved under various safety standards, the model name on the nameplate is the approved model name.
- (P): 此为配件选项, 如需要此功能, 型号后需带 "P".
This option for the parts, such as the need for this feature, models need to bring "P".
- 电动机温度下降后会自动恢复运行, 故在进行检查作业时请务必先切断电源。
When the motor temperature drops, the thermal protector closes and the motor restarts. Be sure to turn the motor off before inspecting.
- 注: "-A" 型号中电压为110V时, 配置电容器容量以实际铭牌为准。
Note: "-A" it means the voltage 110V, the assembly capacitor vaule it is according the labe.

装有减速器时的容许转矩 Gear Motor-Torque Table

- 减速器-中间减速器另售。● 电动机型号的□中为表示带端子箱型的记号(T)。
Gearhead and mid-gearbox can be sold separately. Enter the code that represents the terminal box type (T) in the box (□) within the model name.
- 减速器型号的□中为减速比的数值。□色表示与电动机同一方向运转, 其他则为相反方向。
Enter the gear ratio in the box (□) within the model name.
The colored background □ indicates the same rotating direction of the motor while the rotating direction of others are opposite.
- 转速是以电动机的同步转速 (50Hz:1500r/min、60Hz:1800r/min) 为基准除以减速比而算出来的数值。实际转速将随负载大小变化而比所示数值减少2%~20%左右。
The speed is calculated by diving the motor's synchronous speed (50Hz:1500r/min、60Hz:1800r/min) by the gear ratio. The actual speed is 2%~20% less than the displayed value, depending on the size of the load.
- 希望以大于下表的减速比进行进一步减速时, 可在电动机与减速器之间安装减速比为10的中间减速器。这时的容许转矩为20N·m。
To reduce the speed beyond the gear ratio in the table, attach a mid-gearbox (gear ratio:10) between the gearhead and motor. In that case, the permissible torque is 20N·m.

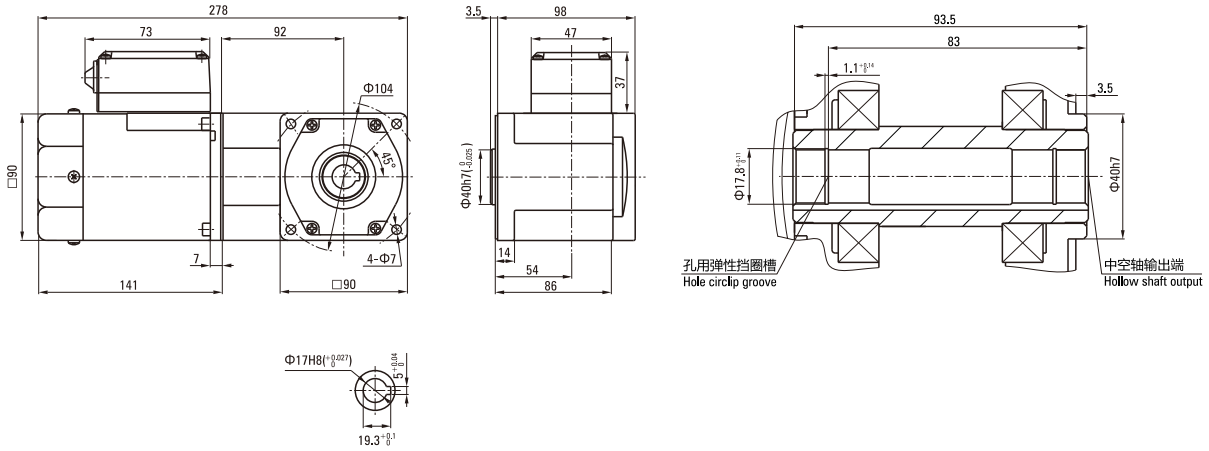
弧锥直角 SPIRAL BEVEL RIGHT ANGLE

容许力矩单位 Allowance Torque Unit: 上段 Upside (N.m) / 下段 Belowside (kgf.cm)

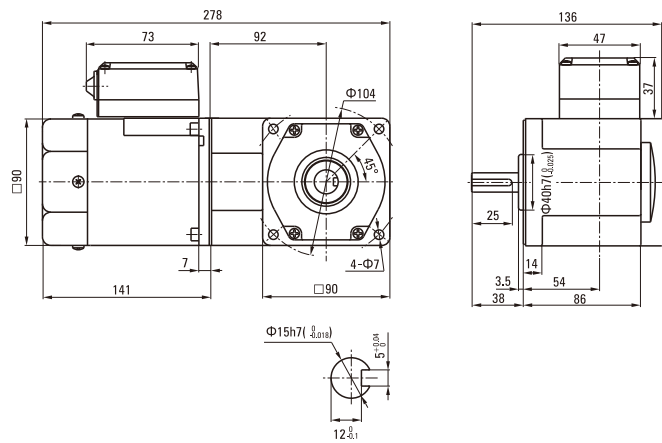
| 机型 Type | | 减速比 Gear Ratio | 7.5 | 9 | 12.5 | 15 | 18 | 25 | 30 | 36 | 50 | 60 | 75 | 90 | 100 | 120 | 150 | 180 | | |
|--|-------------------|-----------------------------|------|------|------|------|------|------|------|------|------|------|------|------|------|------|------|------|------|------|
| 电动机/减速器 Motor/Gearhead | 转速 Speed r/min | 50Hz | 200 | 166 | 120 | 100 | 83 | 60 | 50 | 41 | 30 | 25 | 20 | 16 | 15 | 12 | 10 | 8 | | |
| | | 60Hz | 240 | 200 | 144 | 120 | 100 | 72 | 60 | 50 | 36 | 30 | 24 | 20 | 18 | 15 | 12 | 10 | | |
| 5RK90GU-AF□ 5RK90GU-EF□ 5RK90GU-CF□ 5RK90GU-HF□ | 5GU□RC 5GU□RT | 容许力矩 Allowance Torque | 50Hz | 3.55 | 4.26 | 5.92 | 7.10 | 8.52 | 11.8 | 14.2 | 15.3 | 20.0 | 20.0 | 20.0 | 20.0 | 20.0 | 20.0 | 20.0 | 20.0 | |
| | | | | 36.2 | 43.5 | 60.4 | 72.5 | 87.0 | 121 | 145 | 157 | 200 | 200 | 200 | 200 | 200 | 200 | 200 | 200 | 200 |
| | | | 60Hz | 2.86 | 3.44 | 4.77 | 5.73 | 6.87 | 9.54 | 11.5 | 12.4 | 17.2 | 20.0 | 20.0 | 20.0 | 20.0 | 20.0 | 20.0 | 20.0 | 20.0 |
| | | | | 29.2 | 35.1 | 48.7 | 58.4 | 70.1 | 97.4 | 117 | 126 | 175 | 200 | 200 | 200 | 200 | 200 | 200 | 200 | 200 |

电机尺寸图 Motor Size Chart

5RK90GU-AF□/5GU□RT 5RK90GU-CF□/5GU□RT
5RK90GU-EF□/5GU□RT 5RK90GU-HF□/5GU□RT



5RK90GU-AF□/5GU□RT 5RK90GU-CF□/5GU□RT
5RK90GU-EF□/5GU□RT 5RK90GU-HF□/5GU□RT



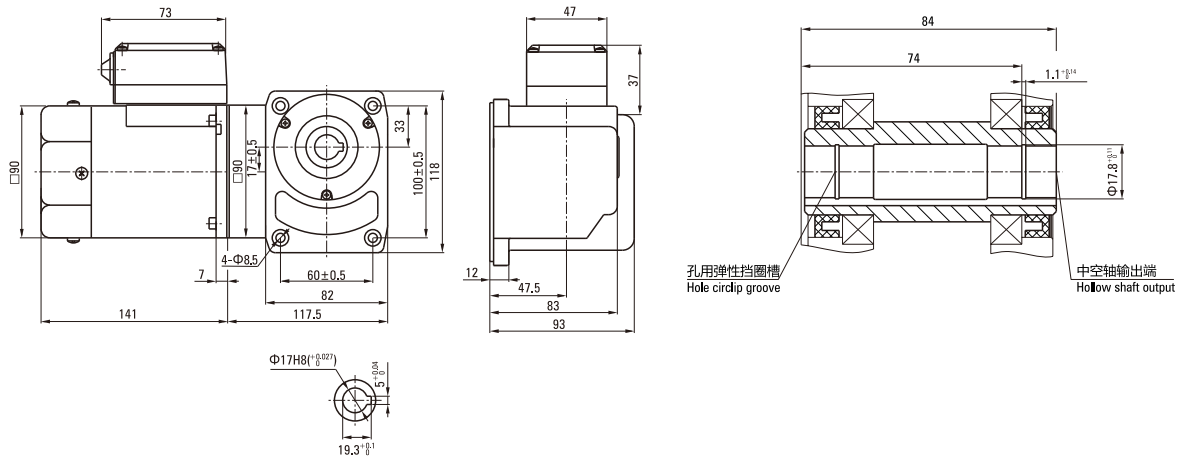
蜗轮蜗杆直角 WORM GEAR RIGHT ANGLE

容许力矩单位 Allowance Torque Unit: 上段 Upside (N.m) / 下段 Belowside (kgf.cm)

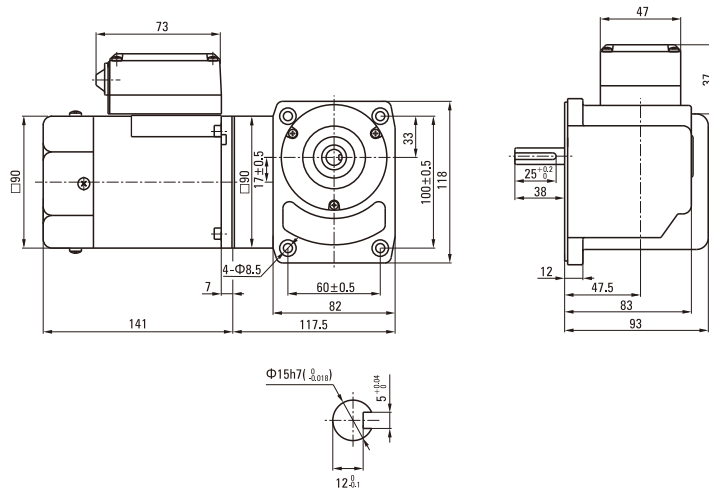
| 机型Type | | 减速比Gear Ratio | 7.5 | 9 | 12.5 | 15 | 18 | 25 | 30 | 36 | 50 | 60 | 75 | 90 | 100 | 120 | 150 | 180 | |
|--|------------------|-----------------------------|------|------|------|------|------|------|------|------|------|------|------|------|------|------|------|------|------|
| 电动机/减速器 Motor/Gearhead | 转速Speed r/min | 50Hz | 200 | 166 | 120 | 100 | 83 | 60 | 50 | 41 | 30 | 25 | 20 | 16 | 15 | 12 | 10 | 8 | |
| | | 60Hz | 240 | 200 | 144 | 120 | 100 | 72 | 60 | 50 | 36 | 30 | 24 | 20 | 18 | 15 | 12 | 10 | |
| 5RK90GU-AF□ 5RK90GU-EF□ 5RK90GU-CF□ 5RK90GU-HF□ | 5GU□RH 5GU□RA | 容许力矩 Allowance Torque | 50Hz | 2.09 | 2.51 | 3.48 | 4.18 | 5.01 | 6.96 | 8.35 | 10.0 | 13.9 | 16.7 | 20.0 | 20.0 | 20.0 | 20.0 | 20.0 | 20.0 |
| | | | 60Hz | 1.68 | 2.02 | 2.81 | 3.37 | 4.04 | 5.61 | 6.74 | 8.08 | 11.2 | 13.5 | 16.8 | 20.0 | 20.0 | 20.0 | 20.0 | |
| | | 50Hz | 21.3 | 25.6 | 35.5 | 42.6 | 51.1 | 71.0 | 85.2 | 102 | 142 | 170 | 204 | 200 | 200 | 200 | 200 | 200 | |
| | | 60Hz | 17.2 | 20.6 | 28.6 | 34.4 | 41.2 | 57.3 | 68.7 | 82.5 | 115 | 137 | 172 | 200 | 200 | 200 | 200 | | |

电机尺寸图 Motor Size Chart

5RK90GU-AF□/5GU□RA 5RK90GU-CF□/5GU□RA
5RK90GU-EF□/5GU□RA 5RK90GU-HF□/5GU□RA



5RK90GU-AF□/5GU□RA 5RK90GU-CF□/5GU□RA
5RK90GU-EF□/5GU□RA 5RK90GU-HF□/5GU□RA



可逆电动机 REVERSIBLE MOTORS

■ 120W □ 90mm



规格 Specs 30分钟额定 30 Minutes Rating

| 型号Model · 类型 Type 上段:齿轮轴 Upper:Pinion Shaft 下段(内):圆轴 Below:Round Shaft | | 输出功率 Output power W | 电压 Voltage V | 频率 Frequency Hz | 电流 Current A | 启动转矩 Starting Torque mN.m | 额定转矩 Rated Torque mN.m | 额定转速 Rated Speed r/min | 电容器容量 Capacitor μF |
|--|--|---------------------------|--------------------|-----------------------|--------------------|---------------------------------|------------------------------|------------------------------|--------------------------|
| 导线型 Lead Wire Type 外形图Dimensions① | 带端子箱型 Terminal Box Type 外形图Dimensions② | | | | | | | | |
| 5RK120GU-AF | 5RK120GU-AFT | 120 | 1ph 100 | 50 | 2.25 | 700 | 930 | 1250 | 35 |
| | | | | 60 | 2.85 | | 750 | 1550 | |
| 5RK120GU-EF | 5RK120GU-EFT | 120 | 1ph 110 | 60 | 1.90 | 650 | 750 | 1550 | 30 |
| | | | 1ph 120 | | | 720 | | | |
| 5RK120GU-CF | 5RK120GU-CFT | 120 | 1ph 220 | 50 | 1.15 | 720 | 930 | 1250 | 8.0 |
| | | | 1ph 230 | | | | | | |
| 5RK120GU-HF | 5RK120GU-HFT | 120 | 1ph 220 | 60 | 1.20 | 720 | 750 | 1550 | 8.0 |
| | | | 1ph 230 | | | | | | |

- 可逆电动机的额定转矩、启动转矩数值均为未安装简易制动时的数值。
Values shown for rated torque and starting torque are measured for operation without the friction brake installed.
- 各种安全规格以电动机铭牌上的型号取得认定。
When the motor is approved under various safety standards, the model name on the nameplate is the approved model name.
- (P): 此为配件选项, 如需要此功能, 型号后需带 "P".
This option for the parts, such as the need for this feature, models need to bring "P".
- 电动机温度下降后会自动恢复运行, 故在进行检查作业时请务必事先切断电源。
When the motor temperature drops, the thermal protector closes and the motor restarts. Be sure to turn the motor off before inspecting.
- 注: "-A" 型号中电压为110V时, 配置电容器容量以实际铭牌为准。
Note: "-A" it means the voltage 110V, the assembly capacitor value it is according to the label.

装有减速器时的容许转矩 Gear Motor-Torque Table

- 减速器·中间减速器另售。● 电动机型号的□中为表示带端子箱型的记号(T)。
Gearhead and mid-gearbox can be sold separately. Enter the code that represents the terminal box type (T) in the box (□) within the model name.
- 减速器型号的□中为减速比的数值。□色表示与电动机同一方向运转, 其他则为相反方向。
Enter the gear ratio in the box (□) within the model name.
The colored background □ indicates the same rotating direction of the motor while the rotating direction of others are opposite.
- 转速是以电动机的同步转速 (50Hz:1500r/min、60Hz:1800r/min) 为基准除以减速比而算出来的数值。实际转速将随负载大小变化而比所示数值减少2%~20%左右。
The speed is calculated by dividing the motor's synchronous speed (50Hz:1500r/min、60Hz:1800r/min) by the gear ratio. The actual speed is 2%~20% less than the displayed value, depending on the size of the load.
- 希望以大于下表的减速比进行进一步减速时, 可在电动机与减速器之间安装减速比为10的中间减速器。这时的容许转矩为20N·m。
To reduce the speed beyond the gear ratio in the table, attach a mid-gearbox (gear ratio:10) between the gearhead and motor. In that case, the permissible torque is 20N·m.

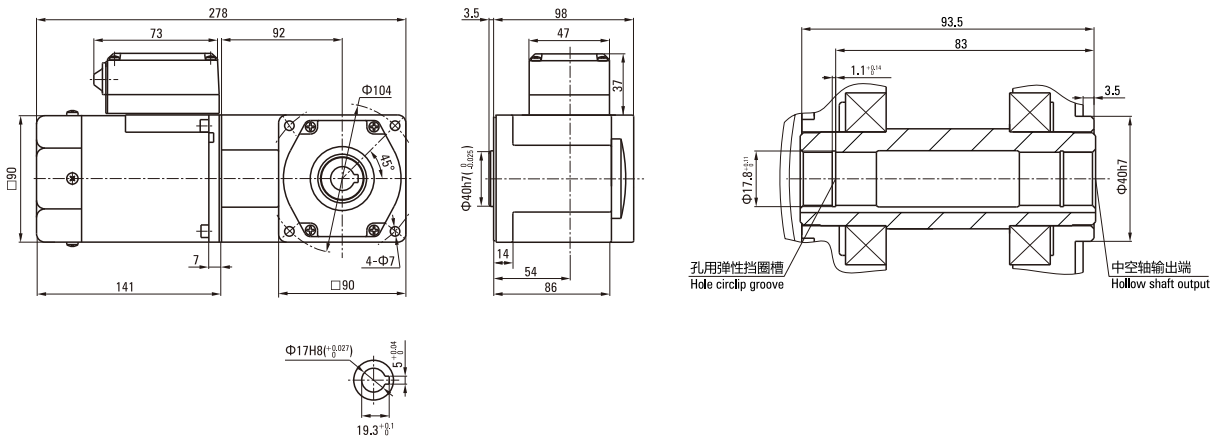
弧锥直角 SPIRAL BEVEL RIGHT ANGLE

容许力矩单位 Allowance Torque Unit: 上段 Upside (N.m) / 下段 Belowside (kgf.cm)

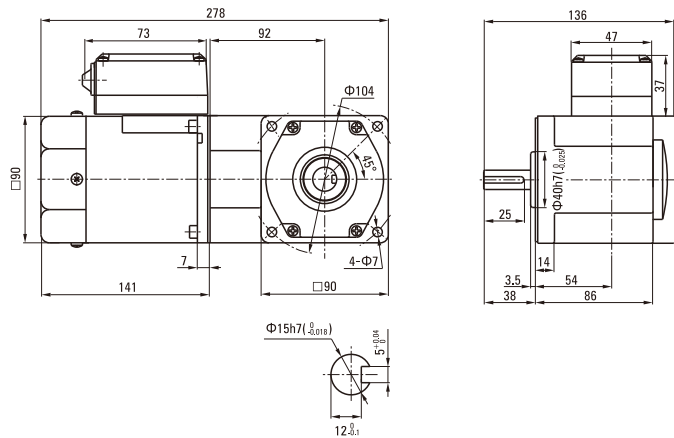
| 机型Type | | 减速比Gear Ratio | 7.5 | 9 | 12.5 | 15 | 18 | 25 | 30 | 36 | 50 | 60 | 75 | 90 | 100 | 120 | 150 | 180 | |
|--|------------------|-----------------------------|------|------|------|------|------|------|------|------|------|------|------|------|------|------|------|------|------|
| 电动机/减速器 Motor/Gearhead | 转速Speed r/min | 50Hz | 200 | 166 | 120 | 100 | 83 | 60 | 50 | 41 | 30 | 25 | 20 | 16 | 15 | 12 | 10 | 8 | |
| | | 60Hz | 240 | 200 | 144 | 120 | 100 | 72 | 60 | 50 | 36 | 30 | 24 | 20 | 18 | 15 | 12 | 10 | |
| 5RK120GU-AF□ 5RK120GU-EF□ 5RK120GU-CF□ 5RK120GU-HF□ | 5GU□RC 5GU□RT | 容许力矩 Allowance Torque | 50Hz | 4.73 | 5.68 | 7.89 | 9.47 | 11.4 | 15.8 | 18.9 | 20.0 | 20.0 | 20.0 | 20.0 | 20.0 | 20.0 | 20.0 | 20.0 | 20.0 |
| | | | 60Hz | 48.3 | 58.0 | 80.5 | 96.6 | 116 | 161 | 193 | 200 | 200 | 200 | 200 | 200 | 200 | 200 | 200 | 200 |
| | | 50Hz | 3.82 | 4.58 | 6.36 | 7.64 | 9.16 | 12.7 | 15.3 | 16.5 | 20.0 | 20.0 | 20.0 | 20.0 | 20.0 | 20.0 | 20.0 | 20.0 | |
| | | 60Hz | 39.0 | 46.7 | 64.9 | 77.9 | 93.5 | 130 | 156 | 168 | 200 | 200 | 200 | 200 | 200 | 200 | 200 | 200 | |

电机尺寸图 Motor Size Chart

5RK120GU-AF□/5GU□RT 5RK120GU-CF□/5GU□RT
5RK120GU-EF□/5GU□RT 5RK120GU-HF□/5GU□RT



5RK120GU-AF□/5GU□RT 5RK120GU-CF□/5GU□RT
5RK120GU-EF□/5GU□RT 5RK120GU-HF□/5GU□RT



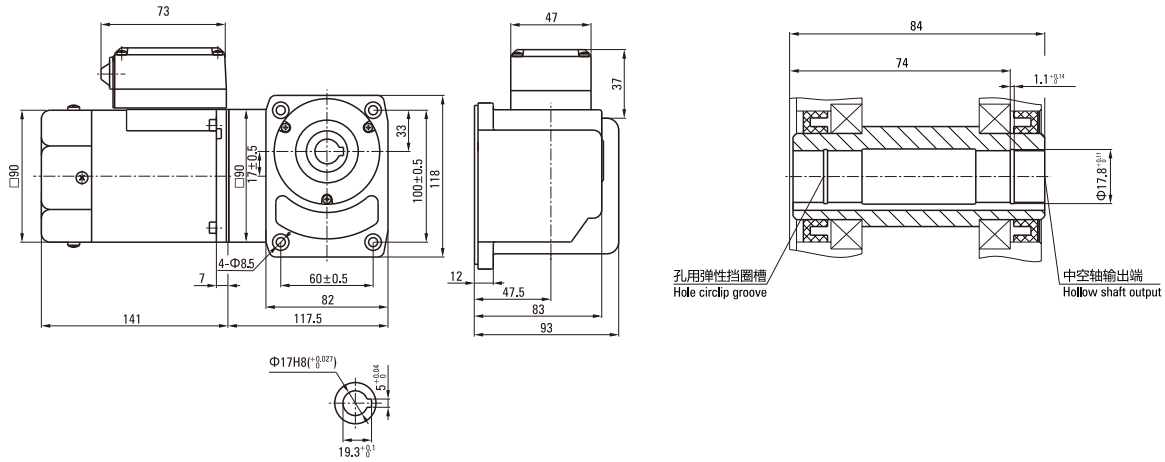
蜗轮蜗杆直角 WORM GEAR RIGHT ANGLE

容许力矩单位 Allowance Torque Unit: 上段 Upside (N.m) / 下段 Belowside (kgf.cm)

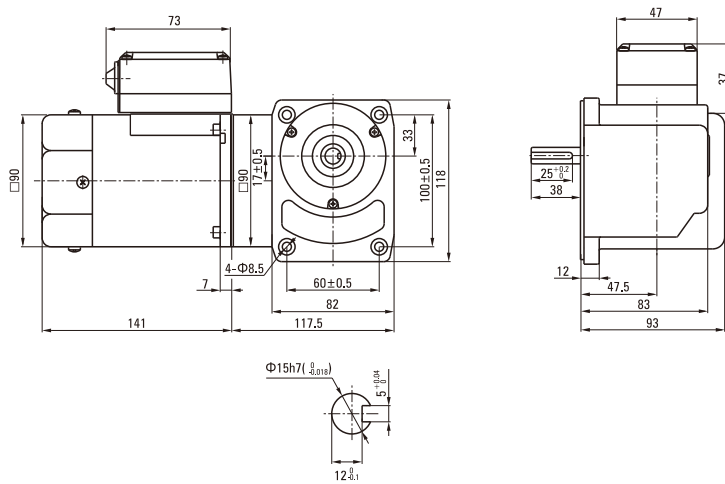
| 机型Type | | 减速比Gear Ratio | 7.5 | 9 | 12.5 | 15 | 18 | 25 | 30 | 36 | 50 | 60 | 75 | 90 | 100 | 120 | 150 | 180 | | |
|--|------------------|-----------------------------|------|------|------|------|------|------|------|------|------|------|------|------|------|------|------|------|------|------|
| 电动机/减速器 Motor/Gearhead | 转速Speed r/min | 50Hz | 200 | 166 | 120 | 100 | 83 | 60 | 50 | 41 | 30 | 25 | 20 | 16 | 15 | 12 | 10 | 8 | | |
| | | 60Hz | 240 | 200 | 144 | 120 | 100 | 72 | 60 | 50 | 36 | 30 | 24 | 20 | 18 | 15 | 12 | 10 | | |
| 5RK120GU-AF□ 5RK120GU-EF□ 5RK120GU-CF□ 5RK120GU-HF□ | 5GU□RH 5GU□RA | 容许力矩 Allowance Torque | 50Hz | 2.78 | 3.34 | 4.64 | 5.57 | 6.68 | 9.28 | 11.1 | 13.4 | 18.6 | 20.0 | 20.0 | 20.0 | 20.0 | 20.0 | 20.0 | 20.0 | |
| | | | | 28.4 | 34.1 | 47.4 | 56.8 | 68.2 | 94.7 | 114 | 136 | 189 | 200 | 200 | 200 | 200 | 200 | 200 | 200 | 200 |
| | | | 60Hz | 2.25 | 2.69 | 3.74 | 4.49 | 5.39 | 7.49 | 8.98 | 10.8 | 15.0 | 18.0 | 20.0 | 20.0 | 20.0 | 20.0 | 20.0 | 20.0 | 20.0 |
| | | | | 22.9 | 27.5 | 38.2 | 45.8 | 55.0 | 76.4 | 91.7 | 110 | 153 | 183 | 200 | 200 | 200 | 200 | 200 | 200 | 200 |

可逆尺寸图 Reversible Type Drawing

5RK120GU-AF□/5GU□RA 5RK120GU-CF□/5GU□RA
5RK120GU-EF□/5GU□RA 5RK120GU-HF□/5GU□RA



5RK120GU-AF□/5GU□RA 5RK120GU-CF□/5GU□RA
5RK120GU-EF□/5GU□RA 5RK120GU-HF□/5GU□RA



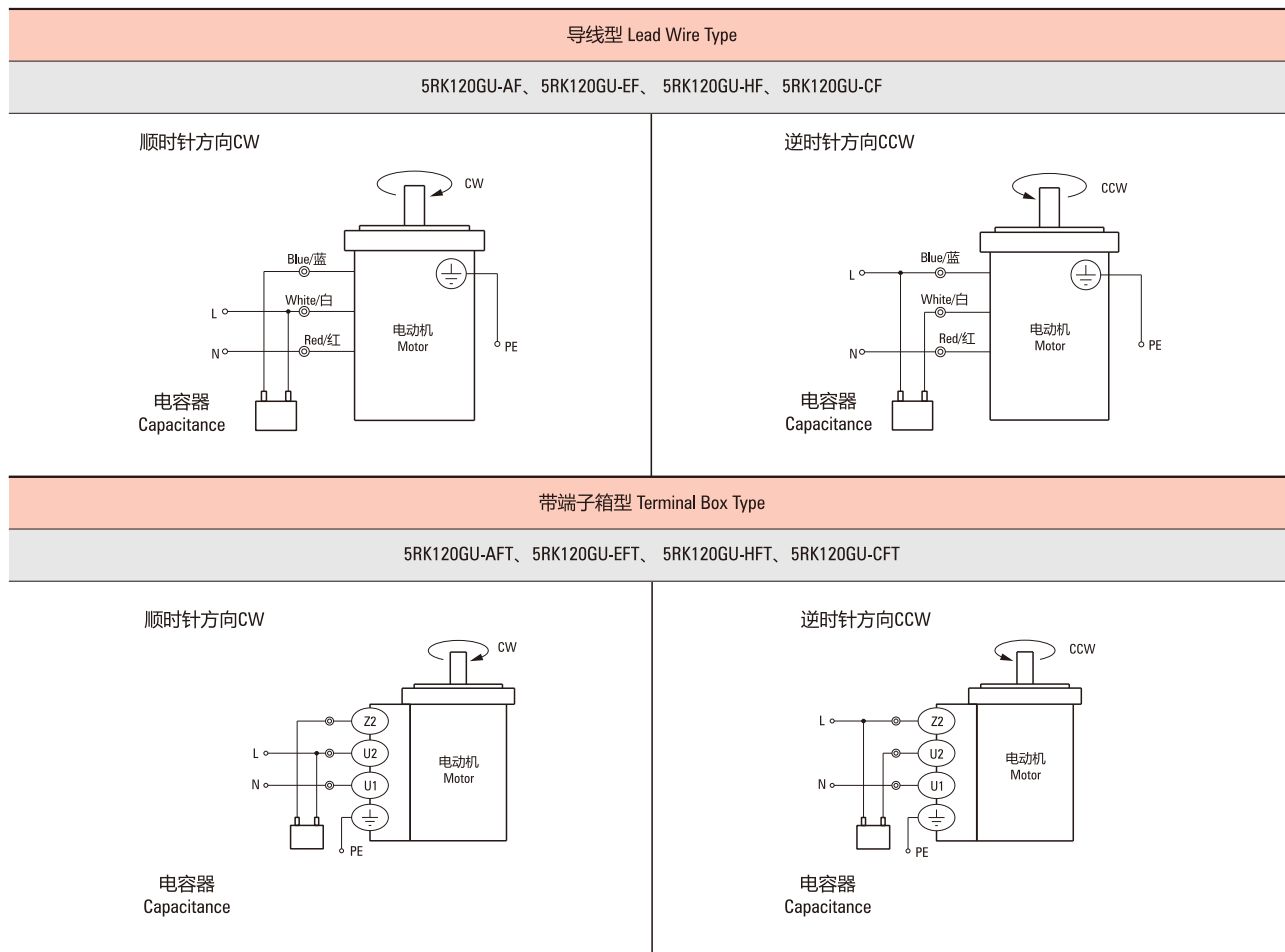
■ 连接图 Wiring Diagram

- 运转方向指从电动机轴看来的方向。CW表示顺时针方向，CCW表示逆时针方向。

The direction of motor rotation is as viewed from the shaft end of motor. CW represents the clockwise direction, while CCW represents the counterclockwise direction.

- 表中所记品名为齿轮轴型，圆轴型亦同。

Name indicated in the list is pinion shaft type, also valid for the equivalent round shaft type.



请注意 Note:

单相电动机运转方向的转换应在电动机停止后进行。

Change the direction of single-phase motor rotation only after bring the motor to a stop.

若在电动机运转时转换运转方向，可能发生无法转换运转方向或须费时较久的情况。

If an attempt is made to change the direction of rotation while the motor is rotating, motor may ignore reversing command or change its direction of rotation after some delay.